



FOOD EQUIPMENT

SERVING THE FOOD INDUSTRY SINCE 1951

STAINLESS STEEL HYDRAULIC PISTON SAUSAGE STUFFERS - 95 LB CAPACITY

Item: 45951
Model: SS-ES-0095-F

Item: 46102
Model: SS-ES-0095-FS

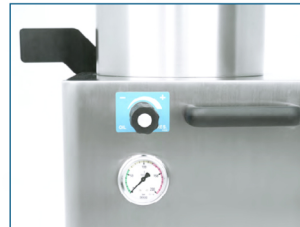
Item: 46103
Model: SS-ES-0095-FT



Ergonomic knee lever.
Reversible operating direction.



Removable lid, adjustable lid lock nuts with handles.



Speed control & pressure gauge.



New!
3 transparent nozzles, ø ext 14, 20 and 30 mm. Maximum hygiene, without edges.



OPTIONAL CASTER
Sold separately

Item 69578
Black Stainless Steel Swivel Caster with Brake



Adjustable anti-vibration feet.



Fully s/s barrel bottom with water draining outlet. Simple cleaning.



WARRANTY
PARTS AND LABOR



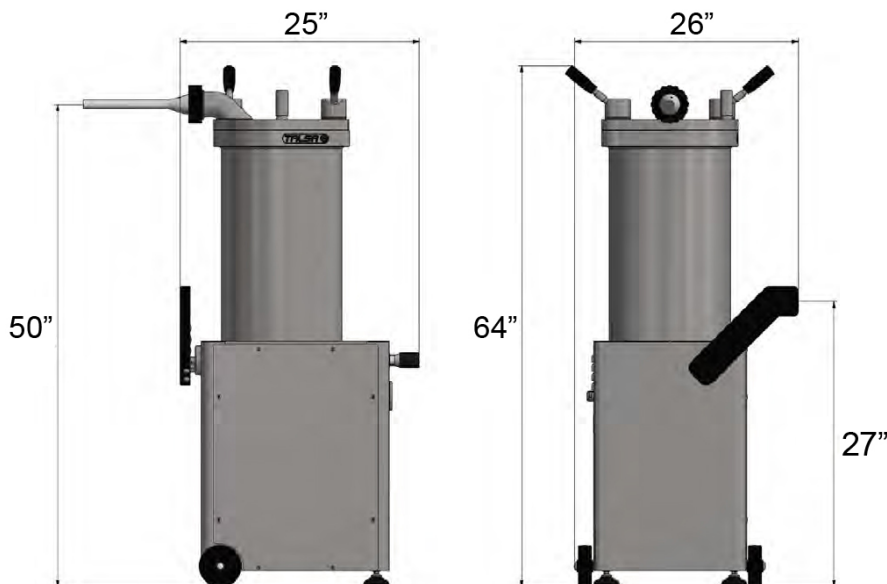
Authorized Dealer

FOOD EQUIPMENT

STAINLESS STEEL HYDRAULIC PISTON SAUSAGE STUFFERS
- 95 LB. CAPACITY



TECHNICAL DRAWINGS
WITH DETAILED DIMENSIONS



TECHNICAL SPECIFICATIONS

ITEM NUMBER	45951	46102	46103
MODEL	SS-ES-0095-F	SS-ES-0095-FS	SS-ES-0095-FT
POWER	2.5 HP / 1.8 kW	2.5 HP / 1.8 kW	2.5 HP / 1.8 kW
AMPS	23 Amps	12.5 Amps	8 Amps
BARREL CAPACITY	51 L / 13 Gal		
APPROX. MEAT CAPACITY	95 lbs. / 40 kg.		
OPERATING TEMPERATURE	5°C - 40°C / 40°F - 100°F		
OPERATING RELATIVE HUMIDITY	20% - 90%		
ELECTRICAL	110V / 60Hz / 1Ph	220V / 60Hz / 1Ph	208-220V / 60Hz / 3Ph
NET WEIGHT	580 lbs. / 260 kg.		
GROSS WEIGHT	660 lbs. / 300 kg.		
DIMENSIONS (DWH)	25" x 26" x 64" / 630 x 640 x 1360 mm		
GROSS DIMENSIONS	29" x 27" x 59" / 720 x 670 x 1490 mm		

OMCAN INC.

Telephone: 1-800-465-0234
 Fax: (905) 607-0234
 Email: sales@omcan.com
 Website: www.omcan.com



Follow us to keep up to date with the latest news and offers

